

**ANNEX 19**

**RESOLUTION MEPC.356(78)  
(adopted on 10 June 2022)**

**2022 GUIDELINES FOR BRIEF SAMPLING OF ANTI-FOULING SYSTEMS ON SHIPS**

THE MARINE ENVIRONMENT PROTECTION COMMITTEE,

RECALLING Article 38(a) of the Convention on the International Maritime Organization concerning the functions of the Marine Environment Protection Committee conferred upon it by the international conventions for the prevention and control of marine pollution,

RECALLING ALSO that the International Conference on the Control of Harmful Anti-fouling Systems for Ships, 2001, held in October 2001, adopted the International Convention on the Control of Harmful Anti-fouling Systems on Ships, 2001 (the AFS Convention) together with four Conference resolutions,

NOTING that article 11(1) of the AFS Convention prescribes that ships to which this Convention applies may, in any port, shipyard, or offshore terminal of a Party, be inspected by officers authorized by that Party for the purpose of determining whether the ship is in compliance with this Convention, that such inspection may include brief sampling of the ship's anti-fouling system, and that article 11(1) of the AFS Convention refers to the guidelines to be developed by the Organization,

NOTING ALSO resolution MEPC.104(49) by which the Committee adopted the *Guidelines for brief sampling of anti-fouling systems on ships*,

RECALLING FURTHER that at its seventy-sixth session it adopted amendments to the AFS Convention to introduce controls on cybutryne through resolution MEPC.331(76),

RECOGNIZING the need for a consequential revision of the guidelines associated with the AFS Convention due to the aforementioned amendments,

NOTING FURTHER that through resolutions MEPC.358(78) and MEPC.357(78) the Organization adopted *2022 Guidelines for survey and certification of anti-fouling systems on ships* and *2022 Guidelines for inspection of anti-fouling systems on ships*, respectively,

HAVING CONSIDERED a revised text of the *Guidelines for brief sampling of anti-fouling systems on ships* prepared by the Sub-Committee on Pollution Prevention and Response at its ninth session,

1 ADOPTS the *2022 Guidelines for brief sampling of anti-fouling systems on ships* (2022 Guidelines), the text of which is set out in the annex to this resolution;

2 INVITES Governments to apply the 2022 Guidelines as soon as possible, or when the Convention becomes applicable to them;

3 RECOMMENDS that the Guidelines be reviewed on a regular basis;

4 REVOKES resolution MEPC.104(49).

ANNEX

**2022 GUIDELINES FOR  
BRIEF SAMPLING OF ANTI-FOULING SYSTEMS ON SHIPS**

**TABLE OF CONTENTS**

1. General
  - Purpose
  - Structure of these Guidelines
2. Definitions
3. Personnel safety when sampling
  - Health
  - Safety
4. Sampling and analysis
  - Sampling methods
  - Technical aspects
  - Sampling strategy and number of samples
  - Analysis
5. Thresholds and tolerance limits
  - Thresholds
  - Tolerance range
6. Definition of compliance
7. Documentation and recording of information

APPENDIX – Possible methods for brief sampling and analysis of anti-fouling systems on ships  
- organotin and/or cybutryne

Method 1

Appendix to method 1 Record sheet for the brief sampling procedure for compliance with the Convention in terms of the presence of organotin and/or cybutryne acting as a biocide in anti-fouling systems on ship hulls

Method 2

Appendix to method 2 Record sheet for the sampling and analysis of anti-fouling systems on ship hulls - organotin compounds and/or cybutryne

## 1 General

### Purpose

1.1 Article 11 of the International Convention on the Control of Harmful Anti-fouling Systems on Ships, 2001, hereinafter referred to as "the Convention", and resolution MEPC.358(78) on *2022 Guidelines for survey and certification of anti-fouling systems on ships*, refer to sampling as a method of verification of compliance of a ship's anti-fouling system with the Convention for inspection and survey.

1.2 The *Guidelines for brief sampling of anti-fouling systems on ships*, hereinafter referred to as "the Guidelines", provide procedures for sampling to support the effectiveness of survey and inspection to ensure that a ship's anti-fouling system complies with the Convention and thus assists:

- .1 Administrations and recognized organizations (ROs) in the uniform application of the provisions of the Convention;
- .2 port State control officers with guidance on methods and handling of brief sampling in accordance with article 11(1)(b) of the Convention; and
- .3 companies, shipbuilders, manufacturers of anti-fouling systems, as well as any other interested parties, in understanding the process of sampling as required in terms of the Convention.

1.3 However, inspections or surveys do not necessarily always need to include sampling of the anti-fouling system.

1.4 These Guidelines apply to surveys and inspections of ships subject to the Convention.

1.5 The sole purpose of the sampling activities described in the Guidelines is to verify compliance with the provisions of the Convention. Consequently, such activities do not relate to any aspect not regulated by the Convention (even if such aspects relate to the performance of an anti-fouling system on the hull of a ship, including the quality of workmanship).

### Structure of these Guidelines

1.6 These Guidelines contain:

- .1 a main body covering aspects of general nature common to "sampling" procedures related to the regulation of anti-fouling systems controlled by the Convention; and
- .2 appendices describing the unique procedures associated with the sampling and analysis of anti-fouling systems controlled by the Convention. These appendices only serve as examples of sampling and analytical methods, and other sampling methods not described in an appendix may be used subject to the satisfaction of the Administration or the port State, as appropriate.

1.7 For reasons including the event of further anti-fouling systems becoming controlled under the Convention, or in the light of new experience acquired, these Guidelines may need to be reviewed or amended in the future.

## **2 Definitions**

For the purposes of these Guidelines:

2.1 "Administration" means the Government of the State under whose authority the ship is operating. With respect to a ship entitled to fly a flag of a State, the Administration is the Government of that State. With respect to fixed or floating platforms engaged in exploration and exploitation of the seabed and subsoil thereof adjacent to the coast over which the coastal State exercises sovereign rights for the purposes of exploration and exploitation of their natural resources, the Administration is the Government of the coastal State concerned.

2.2 "Anti-fouling system" means a coating, paint, surface treatment, surface or device that is used on a ship in order to control or prevent attachment of unwanted organisms.

2.3 "Threshold value" means the concentration limit of the chemical under investigation below which compliance with the relevant provisions of the Convention may be assumed.

2.4 "Company" means the owner of the ship or any other organization or person such as the manager or the bareboat charterer, who has assumed the responsibility for the operation of the ship from the owner of the ship and who, on assuming such responsibility, has agreed to take over all duties and responsibilities imposed by the International Safety Management (ISM) Code.

2.5 "Length" means the length as defined in the International Convention on Load Lines, 1966, as modified by the Protocol of 1988 relating thereto, or any successor Convention.

2.6 "Tolerance range" means the numerical range added to the threshold value indicating the range where detected concentrations above the threshold value are acceptable due to recognized analytical inaccuracy and thus do not compromise the assumption of compliance.

## **3 Personnel safety when sampling**

### **Health**

3.1 Persons carrying out sampling should be aware that solvents or other materials used for sampling may be harmful. Wet paint which is sampled may also be harmful. In these cases, the material safety data sheet (MSDS) for the solvent or paint should be read and appropriate precautions should be taken. This will normally include the wearing of long sleeve solvent resistant gloves of suitable impervious material, e.g. nitrile rubber.

3.2 Quantities of dry anti-fouling paint removed during sampling from ships' hulls will normally be too small to cause significant health effects.

### **Safety**

3.3 Access to ships to carry out sampling safely may be difficult. If a ship is moored alongside, persons carrying out sampling must ensure they have safe access to reach the hull from, for example, platforms, crane baskets, cherry pickers or gangways. They must ensure that they are protected by railings or a climbing harness or take other precautions so that they cannot fall into the water between the quay and the ship. If in doubt a lifejacket, and possibly a safety line, should be worn when sampling.

3.4 Access to ships in dry dock should be made by secure means. Scaffolding should be securely constructed and cherry pickers or dock-arms should be properly constructed and maintained if they are to be used to gain access. There should be a system to record the presence of the inspector in the dock area, and he or she should preferably be accompanied. Safety harnesses should be worn in cherry-picker baskets, if used.

## **4 Sampling and analysis**

### **Sampling methods**

4.1 During sampling, care should be taken not to affect the integrity or operation of the anti-fouling system.

4.2 Sampling where the anti-fouling coating is visibly damaged<sup>1</sup> or on block mark areas on the flat bottom of the ship (where the intact anti-fouling system is not applied) should be avoided. Sampling adjacent to or below areas where the anti-fouling system is damaged should also be avoided. When a sample point on the hull has been selected, any fouling present should be removed with water and a soft sponge/cloth before taking a specimen of the anti-fouling system (to avoid contamination of the sample). Where possible, if carried out in dry dock, sampling should be carried out after the hull has been water-washed.

4.3 The materials required for brief sampling methodologies should ideally be inexpensive, widely available and therefore readily accessible, irrespective of sampling conditions and/or location.

4.4 The sampling procedure should ideally be easily and reliably undertaken. Persons conducting sampling should receive appropriate training in sampling methods.

### **Technical aspects**

4.5 The sampling method should take into account the type of anti-fouling system used on the ship (taking into account that different parts of the hull may be treated with different anti-fouling systems).

4.6 Sampling and analysis of the ship's anti-fouling system could be related to only one or to all of the substances listed in Annex 1 of the AFS Convention. The following cases could be considered:

Case A. Analysis of organotin only

Case B. Analysis of cybutryne only

Case C. Simplified approach to detect organotin and cybutryne

4.7 Depending on the case, the number of samples, analysis, and definition of compliance will differ.

---

<sup>1</sup> During in-service periods, anti-fouling coatings on ships' hulls often become damaged. The extent of damage varies between ships and damaged areas can be visually recognized. Typically, damage can be restricted to localized areas, e.g. anchor chain damage (bow region), fender damage (vertical sides of hull), "rust through areas" (underlying rust causing coating failure), or in some cases can be in smaller areas scattered over larger areas of the hull (usually older ships where over-coating of the original system has taken place many times).

4.8 Specimens of paint for analysis during survey and certification can be taken either as wet paint<sup>2</sup> from product containers, or dry paint film sampled from the hull.

### **Sampling strategy and number of samples**

4.9 The sampling strategy is dependent on the precision of the sampling method, the analytical requirements, costs, and required time and the purpose of the sampling. The number of paint specimens taken of each sample should allow for a retention quantity for back-up/storage in the event of a dispute. For dry samples, triplicate specimens of paint at each sampling point should be taken in close proximity to each other on the hull (e.g. within 10 cm of each other).

4.10 In cases where it is recognized that more than one type of anti-fouling system is present on the hull, where access can be gained, samples should be taken from each type of system:

- .1 For survey purposes or for more thorough inspections pursuant to article 11(2) of the Convention, in order to verify the compliance of an anti-fouling system, the number of sample points should reflect representative areas of the ship's hull.
- .2 For inspection purposes pursuant to article 11(1) of the Convention sample points on the hull should be selected covering representative areas where the anti-fouling system is intact. Depending on the size of the ship and accessibility to the hull, at least four sample points should be equally spaced down the length of the hull. If sampling is undertaken in dry dock, flat bottom areas of the hull should be sampled in addition to vertical sides as different anti-fouling systems can be present on these different areas.

4.11 The distribution of any remaining anti-fouling paint on the hull surface may not be uniform. Therefore, it is important that the sampling is representative of the hull status; see *Guidelines for survey and certification of anti-fouling systems on ships*, appendix I, paragraph 2).

### **Analysis**

4.12 The analysis of the anti-fouling system should ideally involve minimal analytical effort and economic cost.

4.13 The analysis should be conducted by a recognized laboratory meeting the ISO 17025 standard or another appropriate facility at the discretion of the Administration or the port State.

4.14 The analytical process should be expeditious, such that results are rapidly communicated to the officers authorized to enforce the Convention.

---

<sup>2</sup> In order to prevent contamination, wet paint samples should be taken from a newly opened container. Paint should be stirred to ensure even consistency before sampling and all equipment used should be cleaned prior to use. Liquid paint samples should be stored in appropriate sealed packaging which will not react with or contaminate the sample. In the case of multi-component coatings (where on-site mixing of several components is required prior to application), samples of each component should be taken and the required mixing ratio recorded. When a sample of wet paint is taken from a container, details of the paint should be recorded, e.g. details required for the IAFS Certificate along with a batch number for the product.

4.15 The analysis should produce unambiguous results expressed in units consistent with the Convention and its associated guidelines. For example, for organotin, results should be expressed as: mg tin (Sn) per kg of dry paint, and, for cybutryne: mg of cybutryne per kg of dry paint.

NOTE: Compound-specific sampling and analytical methodologies are described in the appendices to these Guidelines.

## **5 Thresholds and tolerance limits**

### **Thresholds**

5.1 The analysis should be quantitative to the point of being able to accurately verify the threshold limits within the given tolerance.

5.2 In cases where compliance with acceptable limits, or lack thereof, is unclear, additional sampling or other methodologies for sampling should be considered.

### **Tolerance range**

5.3 Statistical reliability for each (compound-specific) brief sampling procedure should be documented. The analysis should be quantitative to the point of being able to accurately verify the threshold limits within the given tolerance. On the basis of these data a compound-specific tolerance range should be derived and stated in the method description. In general, the tolerance range should not be higher than the standard deviation under typical conditions for testing and should under no circumstances go beyond 30%.

## **6 Definition of compliance**

6.1 Compliance with Annex 1 to the Convention is assumed if the anti-fouling system contains:

- .1 organotin at a level which does not provide a biocidal effect. In practice organotin compounds should not be present above 2,500 mg organotin (measured as Sn) per kg of dry paint; and
- .2 cybutryne at a level which does not provide a biocidal effect. It should not be present above 1,000 mg of cybutryne per kg of dry paint.

6.2 Compliance is largely dependent on the results of sampling and subsequent analysis. As every method of sampling and analysis has its specific accuracy, a compound-specific tolerance level may be applied in borderline cases with concentrations very close to the threshold level.

6.3 In general, compliance is assumed when the samples yield results below the threshold value.

## **7 Documentation and recording of information**

7.1 The results of the sampling procedure should be fully documented on a method-specific record sheet. Examples are provided in the appendices to these Guidelines.

7.2 Such record sheets should be completed by the sampler and should be submitted to the competent authority of the port State or Administration.

## APPENDIX

### POSSIBLE METHODS FOR BRIEF SAMPLING AND ANALYSIS OF ANTI-FOULING SYSTEMS ON SHIPS

#### - ORGANOTIN AND/OR CYBUTRYNE -

#### METHOD 1

##### **1 Purpose of this method concerning brief sampling and analysis of anti-fouling systems**

1.1 This method has been developed in order to describe a rapid methodology appropriate for the identification of anti-fouling systems on ship hulls containing organotin compounds and/or cybutryne acting as biocide. This method has been designed such that sealers should not be affected, and any underlying anti-fouling agent (or primer) is not taken up in the sampling procedure. The method is not recommended for silicon-based anti-fouling systems.

1.2 The method for organotin compounds (Case A under paragraph 4.6 of the Guidelines) is based on a two-step analysis. The first step detects total tin as an indicator for organotin; the second step, detecting specific organotin compounds, is only necessary in the case of the first step proving positive.

1.3 The method for cybutryne (Case B under paragraph 4.6 of the Guidelines) is based on a one-step analysis.

1.4 The simplified approach (Case C under paragraph 4.6 of the Guidelines) to detect organotin compounds and cybutryne is based on a one-step analysis.

##### **2 Sampling device and materials**

2.1 The sampling device is constructed in a way that only the upper layer of paint is removed, thereby it should leave any underlying paint (sealer, primer, etc.) intact. This result is achieved through the use of a moving disk (eccentric rotation), which is covered by an abrasive material like quartz or glass fibre fabric. This abrasive material has to be suitable for its use as a supporting material for the removed paint.

2.2 The device fulfils the following requirements:

- .1 the device has to work independently from any stationary power supply. The device may be driven by an electrical motor (battery-driven) or may be mechanically driven by a clockwork-like spring, provided it is able to sustain the movement over the required time period;
- .2 the applied force has to be constant during the operation, and the area for paint removal has to be defined;
- .3 the abrasive material has to be inert against chemical solvents and acids and must not contain more than trace amounts of tin or tin compounds and/or cybutryne; and
- .4 the amount of paint removed after a regular operation of the device has to be shown to exceed 20 mg per sample.



2.3 The device as described in the following section has been shown to be suitable for the brief sampling procedure. Any other device may be used however, provided such a device has proven to meet all the above-mentioned requirements.

2.4 The sampling device described here consists of a polyethylene disk, on which fibre glass fabric can be mounted by the use of an O-ring. The disk is moved on an eccentrically rotating axis.

### **3 Sampling procedure**

3.1 The sampling procedure should be performed in the following manner:

- .1 control samples should be taken through the entire sampling and analytical process to account for possible contamination;
- .2 the mass of the fibreglass pads is weighed with a precision of at least 1 mg. The weight should be documented for each sample;
- .3 the fabric should be moistened thoroughly with isopropanol (0.7 mL per sample) immediately before sampling;
- .4 when a sample point on the hull has been selected, any fouling present should be removed with water and a soft sponge/cloth before taking a specimen of the anti-fouling system (to avoid contamination of the sample). Where possible, if carried out in dry dock, sampling should be carried out after the hull has been water-washed;
- .5 the sampling device is then held against the surface to be sampled for a period of five seconds, prior to the sampling device being switched on;
- .6 the sampling device is switched on, thereby removing paint by the circular motion of the fibre glass fabric against the surface of the ship;
- .7 the sampling device should be applied to the surface of the hull for a suitable period of time, such that at least 20 mg of paint is taken up by the pad. As a general rule, if the pad colour after sampling matches the colour of the hull coating a sufficient sample has been taken;
- .8 the specimens should be taken as close to each other as possible, but without overlap;
- .9 upon completion of the sampling, the fibreglass fabric pads should be left to dry and re-weighed;
- .10 the number of samples will differ depending on the substances targeted as listed in Annex 1 of the AFS Convention.

Case A. Analysis of organotin only, every sample should be taken in triplicate.

Specimen 'A' – for Step 1  
Specimen 'B' – for Step 2  
Specimen 'X' – for storage/back-up

Case B. Analysis of cybutryne only, every sample should be taken in duplicate.

Specimen 'C' – for a one-step analysis

Specimen 'X' – for storage/back-up

Case C. Simplified approach to detect organotin and cybutryne, every sample should be taken in duplicate.

Specimen 'C' – for a one-step analysis

Specimen 'X' – for storage/back-up

3.2 Samples should be stored in appropriate sealed packaging which will not react with or contaminate the sample.

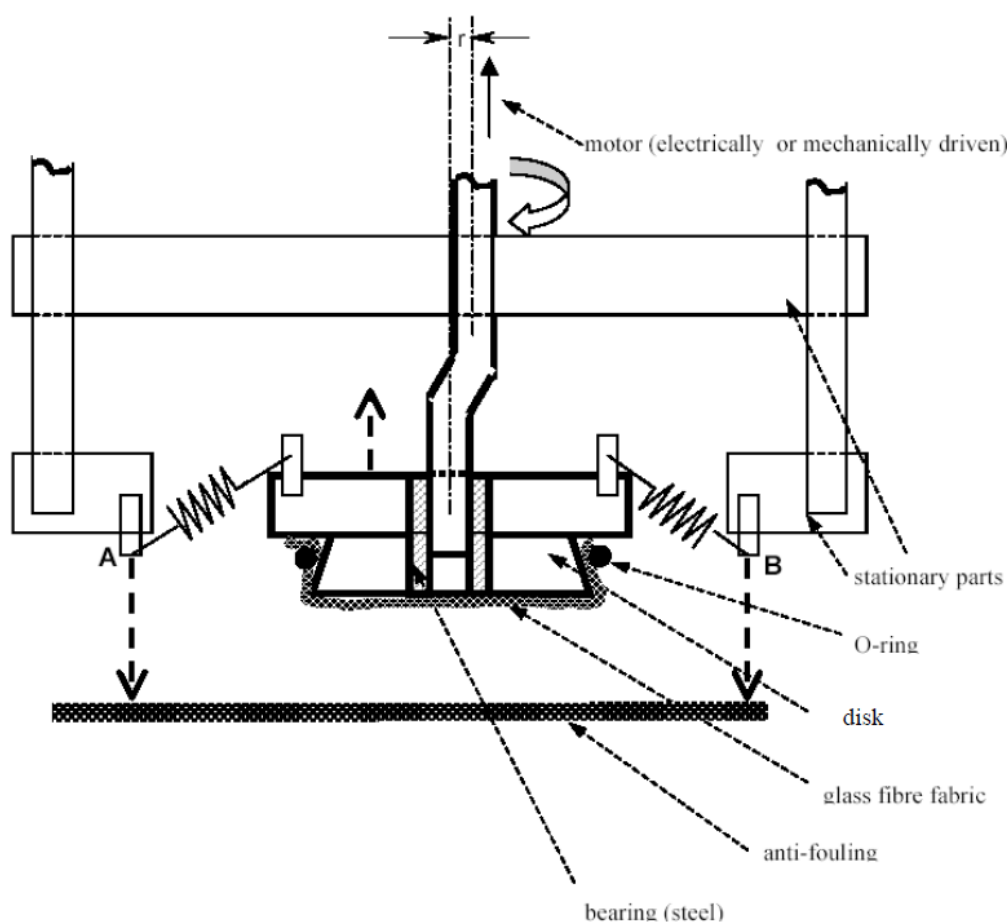


Diagram A: Schematic cross section of the sampling device

The indicated points A and B are to be pressed against the surface. The polyethylene disk, covered with the glass fibre fabric, is moved with an amplitude of  $2r$  ( $r = 1.0$  cm) on the surface.

**Specific data:**

Force applied on the paint surface:	25 N (Newton)
Effective diameter of the disk:	5 cm
Frequency of rotation:	6 rotations/s
Solvent used:	isopropanol (0.8 mL per sample).

#### **4 Sampling strategy**

4.1 Sampling should be conducted in accordance with paragraph 4 of the Guidelines.

4.2 For inspection purposes in most cases accessibility to all parts of the hull will not be given. A minimum number of eight independent samples should be taken from different accessible parts of the hull.

#### **5 Analytical procedure**

5.1 The analytical procedure will differ depending on the substances targeted as listed in Annex 1 of the AFS Convention.

#### **Case A. Analysis of organotin only**

5.2 The two components comprising the analytical procedure are illustrated in the flow diagram B. The two components, or steps, are as follows:

- .1 (Step 1) – An analysis of Specimen 'A' for the presence of total tin; and
- .2 (Step 2) – A more cost- and time-consuming analysis of Specimen 'B', that is applied only when Step 1 produces positive results. This test involves organotin analysis by gas chromatography/mass spectrophotometry (GC/MS) after derivatization and provides specific data on the respective organotin species.

#### **Step 1: Investigation of total tin content in Specimen 'A'**

##### **Analysis of Specimen 'A'**

5.3 Specimen 'A' is analysed for mass of total tin per kilogram of dry paint (or mass of tin per sample) by applying inductively coupled plasma/mass spectrometry (ICP/MS), once the material had been solubilized by digestion using aqua regia. It should be noted that any other scientifically recognized procedure for tin analysis (such as AAS, XRF and ICP-OES) is acceptable.

#### **Step 2: Characterization of organotin in Specimen 'B'**

##### **Analysis of Specimen 'B'**

5.4 Should Specimen 'A' produce positive results, organotin compounds should be identified and quantified in Specimen 'B'. Specimen 'B' may be analysed using the following procedure:

- .1 solvent extraction of Specimen 'B' as supported by sonication in an ultrasonic bath;
- .2 derivatization with ethylmagnesium bromide;
- .3 clean-up of the extract;
- .4 analysis using high resolution gas chromatography/mass spectrophotometry (GC/MS); and

.5 quantifications using tripropyltin as a standard.

5.5 Any equally reliable method for the chemical identification and quantification of organotin compounds is acceptable.

#### **Case B. Analysis of cybutryne only**

5.6 A one-step analysis of 'Specimen C' for determining the amount of cybutryne, using gas chromatography/mass spectrophotometry (GC/MS).

#### **One-step analysis: Characterization of cybutryne in Specimen 'C'**

##### **Analysis of Specimen 'C'**

5.7 Specimen 'C' should be analysed using the following procedure:

- .1 sample extraction using ethyl acetate with added internal standard (ametryn) using an ultrasonic bath for 15 minutes;
- .2 centrifugation of the samples at 600 rcf for 5 minutes;
- .3 analysis of the supernatant using high resolution capillary GC/MS, with the MS operating in SIM mode;
- .4 quantification using reference cybutryne solutions and an internal standard normalization procedure; and
- .5 modified GC/MS methods resulting in an expanded measurement uncertainty ( $k=2$ ; 95% confidence) of 25% are acceptable.

5.8 Other methods for the chemical identification and quantification of cybutryne, if proven equally reliable, could be accepted by the Administration or the port State.

#### **Case C. simplified approach to detect organotin and cybutryne**

5.9 A one-step analysis of Specimen 'C' for determining the amount of organotin and cybutryne using gas chromatography/mass spectrophotometry (GC/MS).

#### **One-step analysis: Characterization of organotin and cybutryne in Specimen 'C'**

- .1 sample extraction using toluene with added internal standard (ametryn) using an ultrasonic bath for 15 minutes;
- .2 derivatization with ethylmagnesium bromide;
- .3 clean-up of the extract;
- .4 centrifugation of the samples at 600 rcf for 5 minutes;
- .5 analysis of the supernatant using high resolution capillary GC/MS, with the MS operating in SIM mode;

- .6 cybutryne quantification using reference cybutryne solutions and an internal standard normalization procedure. Organotin quantification using tripropyltin as the internal standard; and
- .7 modified GC/MS methods resulting in an expanded measurement uncertainty ( $k=2$ ; 95% confidence) of 25% are acceptable.

5.10 Other methods for the chemical identification and quantification of organotin and cybutryne, if proven equally reliable, could be accepted by the Administration or the port State.

## **6 Threshold and tolerance range**

6.1 The threshold value for organotin compounds for the brief sampling method as described here is:

"2,500 mg tin (Sn) per kg of dry paint."

6.2 The threshold value for cybutryne for the brief sampling method as described here is:

"1,000 mg of cybutryne per kg of dry paint."

### **Tolerance range**

6.3 The tolerance range is 500 mg Sn / kg of dry paint (20%) in addition to the threshold value.

6.4 The tolerance range is 250 mg cybutryne / kg of dry paint (25%) in addition to the threshold value.

### **Organotin-containing compounds acting as biocides or catalysts**

6.5 As stated in appendix I of resolution MEPC.358(78), for the purposes of defining compliance with Annex 1 to the Convention, it should be noted that small quantities of organotin compounds, acting as chemical catalysts (such as mono- and di-substituted organotin compounds), are allowed, provided they are not acting as a biocide.

6.6 Inorganic impurities in the constituents of the paints should be considered.

6.7 At present neither organotin catalysts nor inorganic impurities are found at concentrations which will be close to the threshold level (2,500 mg Sn/kg of dry paint) or higher. However, organotin-containing compounds, when present in paint in order to act as a biocide, were found in concentrations up to 50,000 mg Sn/kg of dry paint. Thus, the discrimination between anti-fouling systems containing organotin compounds acting as a biocide and anti-fouling systems not containing these compounds or not containing these compounds at concentrations where they act as a biocide is reliably possible.

## **7 Definition of compliance**

7.1 The analytical verification of the compliance will differ depending on the substances targeted as listed in Annex 1 of the AFS Convention.

### Case A. Analysis of organotin only Two-step procedure

7.2 The analytical verification of the compliance with the Convention for organotin compounds is performed in a two-step procedure according to the flow-diagram (diagram B).

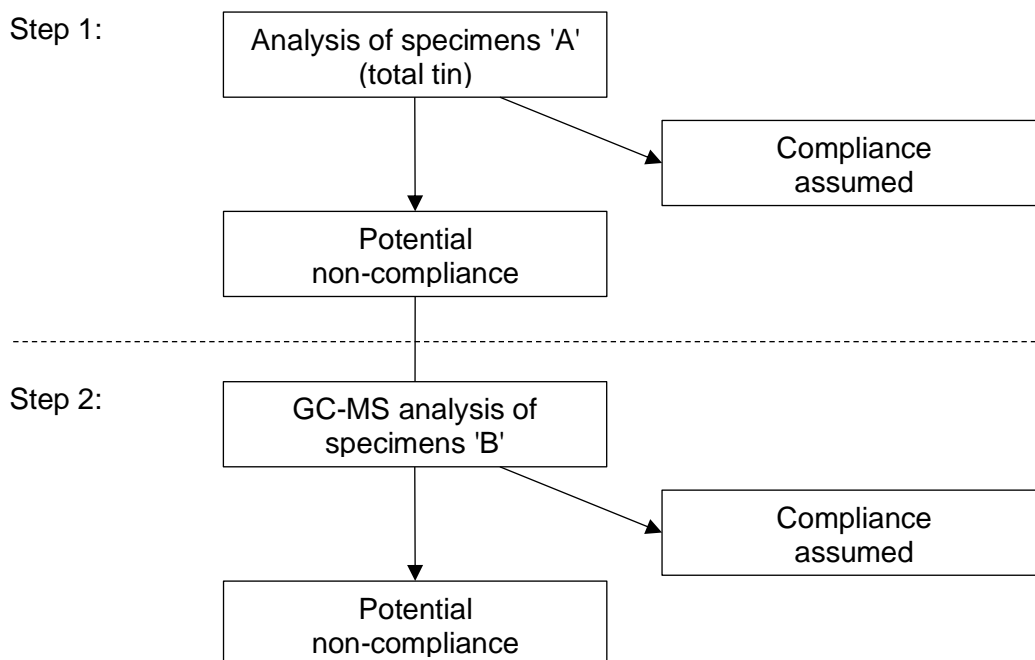


Diagram B: Flow diagram illustrating the two-step analysis procedure for organotin compounds

#### Compliance with the criteria at the 'Step 1-level'

7.3 Compliance with the Convention is assumed when the results from the specimens 'A', analysed in step 1, meet the following:

- .1 no more than 25% of the total number of samples yield results above 2,500 milligrams total tin per kilogram dry paint (2,500 mg Sn/kg of dry paint); and
- .2 no sample of the total number of at least eight samples shows a concentration of total tin higher than the sum of threshold value plus the tolerance range, i.e. no sample must exceed the concentration 3,000 mg Sn/kg of dry paint.

7.4 If the results in specimen 'A' indicate that no organotin acting as biocide is present, then performing step 2 is not necessary.

#### Non-compliance with the criteria at the 'Step 1-level'

7.5 A positive result (non-compliance) is indicated if the provisions of paragraph 7.3 are not met.

7.6 A positive result at step 1 (specimen 'A') would indicate that step 2 should be undertaken, and those samples labelled specimen 'B' should be analysed in order to determine and characterize the organotin present (see diagram B).

#### **Compliance with the criteria at the 'Step 2-level'**

7.7 Compliance with the Convention is assumed when the results from the specimens 'B', analysed in step 2, meet the following requirements at the same time:

- .1 no more than 25% of the total number of samples yield results above 2,500 milligrams total tin per kilogram dry paint (2,500 mg Sn/kg of dry paint); and
- .2 no sample of the total number of at least eight samples shows a concentration of total tin higher than the sum of threshold value plus the tolerance range, i.e. no sample must exceed the concentration 3,000 mg Sn/kg of dry paint.

#### **Non-compliance at 'Step 2-level'**

7.8 A positive result in step 2 indicates non-compliance if the provisions of paragraph 7.7 are not met. Such results should be interpreted to mean that organotin compounds are present in the anti-fouling system at a level at which it would act as a biocide.

#### **Case B. Analysis of cybutryne only**

7.9 Compliance with the Convention is assumed when the results from specimen 'C', analysed in a one-step analysis for cybutryne, meet the following requirement:

- .1 The average value of the total number of specimens shows a concentration below the threshold plus the tolerance range, i.e. 1,250 mg of cybutryne per kg of dry paint.

#### **Non-compliance at the one-step analysis for cybutryne**

7.10 An average value of the total number of specimens showing a concentration above the threshold plus the tolerance range, i.e. 1,250 mg of cybutryne per kg of dry paint, indicates non-compliance.

#### **Case C. Simplified approach to detect organotin and cybutryne**

7.11 Compliance with the Convention is assumed when the results from specimen 'C', analysed in a one-step analysis for organotin and cybutryne, meet the two conditions below:

- .1 for organotin, the average value of the total number of specimens shows a concentration below the threshold plus the tolerance range, i.e. 3,000 mg Sn/kg of dry paint; and
- .2 for cybutryne, the average value of the total number of specimens shows a concentration below the threshold plus the tolerance range, i.e. 1,250 mg of cybutryne per kg of dry paint.

**Non-compliance at the one-step analysis for organotin and cybutryne**

7.12 If one of the conditions set out in paragraph 7.11 above is not met, this indicates non-compliance. Such results should be interpreted to mean that cybutryne or organotin is present in the anti-fouling system at a level at which it would act as a biocide.



APPENDIX TO METHOD 1

**RECORD SHEET FOR THE BRIEF SAMPLING PROCEDURE FOR COMPLIANCE WITH THE CONVENTION IN TERMS OF THE PRESENCE OF ORGANOTIN AND/OR CYBUTRYNE ACTING AS A BIOCIDES IN ANTI-FOULING SYSTEMS ON SHIP HULLS**

<b>RECORD SHEET: GUIDELINES FOR BRIEF SAMPLING OF ANTI-FOULING SYSTEMS ON SHIPS – ORGANOTIN AND CYBUTRYNE</b>		RECORD NUMBER:
<b><u>SECTION 1: Administration</u></b>		
<b>1. Country</b>	<b>2. Name of port</b>	<b>3. Date</b>
<b>4. Reason for sampling</b>		
<input type="checkbox"/> Port State control <input type="checkbox"/> Survey & certification <input type="checkbox"/> Other flag State compliance inspection		
<b>5. Company details:</b>		<b>6. Inspecting official's details</b>
1. Name of ship: 2. Distinctive number or letters: 3. Port of registry 4. Gross tonnage: 5. IMO number:		1. Name: 2. Comments:
<b><u>SECTION 2: Sampling</u></b>		
1. Time sampling procedure initiated:		
2. Description of location from where samples were taken (frame number and distance from boot topping, refer to paragraph 3.2):		
3. Number of samples taken (three or two specimens per sample):		
4. Photographs taken of the sample point prior to sampling?		
<input type="checkbox"/> Yes <input type="checkbox"/> No		
5. Time sampling procedure completed:		
6. Additional comments concerning sampling procedure:		

<b><u>SECTION 3: Analysis and results</u></b>							
<b><u>Case A. Analysis of organotin only</u></b>							
<b>1. Step 1 total tin analysis:</b>							
Company name:							
Analyst responsible:				Date:			
<b>2. Specimen 'A' results:</b>				Total number of specimens 'A' analysed:			
No.	mg Sn / kg	No.	mg Sn / kg	No.	mg Sn / kg	No.	mg Sn / kg
1		5		9		13	
2		6		10		14	
3		7		11		15	
4		8		12		16	
Number of specimens exceeding 2,500 mg/kg:							
1 or more specimens exceeding 3,000 mg/kg: <input type="checkbox"/> Yes <input type="checkbox"/> No							
Conclusion:							
				Step 2 required		<input type="checkbox"/>	
				Compliance, further analysis unnecessary		<input type="checkbox"/>	
<b>3. Additional comments concerning analysis of results from Specimens 'A':</b>							
<b>4. Organotin analysis undertaken by:</b>							
Company name:							
Analyst responsible:				Date:			
<b>5. Specimen 'B' results:</b>				Total number of specimens 'B' analysed:			
No.	mg Sn / kg	No.	mg Sn / kg	No.	mg Sn / kg	No.	mg Sn / kg
1		5		9		13	
2		6		10		14	
3		7		11		15	
4		8		12		16	
Number of specimens exceeding 2,500 mg/kg:							
1 or more specimens exceeding 3,000 mg/kg: <input type="checkbox"/> Yes <input type="checkbox"/> No							
Conclusion:							
				Non-compliance		<input type="checkbox"/>	
				Compliance, further analysis unnecessary:		<input type="checkbox"/>	
<b>6. Additional comments concerning analysis of results from Specimens 'B':</b>							

<b><u>Case B. Analysis of cybutryne only</u></b>	
<b>1. A one-step analysis using gas chromatography/mass spectrophotometry (GC/MS)</b>	
Company name:	
Analyst responsible:	Date:
<b>2. Specimen 'C' results:</b>	
Total number of specimens 'C' analysed by GC-MS:	
Average concentration of cybutryne (mg of cybutryne per kg of dry paint):	
<b>3. Conclusions:</b>	
The average concentration of cybutryne exceeds the threshold of 1,250 mg of cybutryne per kg of dry paint <input type="checkbox"/> Yes <input type="checkbox"/> No	
<b>4. Additional comments concerning analysis of results from Specimens 'C':</b>	

<b><u>Case C. Simplified approach to detect organotin and cybutryne</u></b>	
<b>1. A one-step analysis using gas chromatography/mass spectrophotometry (GC/MS)</b>	
Company name:	
Analyst responsible:	Date:
<b>2. Specimen 'C' results:</b>	
Total number of specimens 'C' analysed by GC-MS:	
Average concentration of organotin (mg Sn per kg of dry paint):	
Average concentration of cybutryne (mg of cybutryne per kg of dry paint):	
<b>3. Conclusions:</b>	
The average concentration of organotin exceeds the threshold of 3,000 mg Sn/kg of dry paint <input type="checkbox"/> Yes <input type="checkbox"/> No	
The average concentration of cybutryne exceeds the threshold of 1,250 mg of cybutryne/kg of dry paint <input type="checkbox"/> Yes <input type="checkbox"/> No	
<b>4. Additional comments concerning analysis of results from Specimens 'C':</b>	

<b><u>SECTION 4: Final conclusion</u></b>
<b>Summarized conclusion:</b>
Compliance with AFS Convention assumed <input type="checkbox"/>
Non-compliance with AFS Convention assumed <input type="checkbox"/>

**THIS IS TO CERTIFY that this Record is correct in all respects.**

**Issued at**

\_\_\_\_\_  
(Place of issue of Record)

\_\_\_\_\_  
(Date of issue) (Printed name and signature of authorized official issuing the Record)

\_\_\_\_\_  
(Seal or stamp of the authority/organization)

## METHOD 2

### 1 Purpose of this method

1.1 This method provides sampling and analysis procedures to identify the presence of organotin compounds and/or cybutryne in the anti-fouling systems on ships. The method is designed such that the sampling and the first stage analysis could be carried out by ship surveyors or port State control officers (PSCOs) on the survey/inspection site, e.g. at a dry dock.

1.2 The method for organotin compounds is based on a two-stage analysis (case A under paragraph 4.6 of the Guidelines). The first stage detects total tin as an indicator for the presence of organotin and the second stage is necessary only in the case that the first stage analysis providing a positive result to detect specific organotin compounds.

1.3 The method for cybutryne analysis (case B under paragraph 4.6 of the Guidelines) is based on a one-step analysis based on the gas chromatography/mass spectrophotometry analytical method (GC/MS).

1.4 A simplified approach to detect organotin and cybutryne (case C under paragraph 4.6 of the Guidelines) is based on a one-step analysis using the gas chromatography/mass spectrophotometry analytical method (GC/MS).

### 2 Sampling

2.1 The sampling is carried out by using abrasive paper rubbing on the surface of the anti-fouling system. This results in collection of paint fragments of the anti-fouling system from a thin area, less than several micrometres in depth from the surface, which do not affect the coatings lying underneath such as sealers.

2.2 Abrasive paper is pasted on a disc of approximately 10 mm in diameter. Rubbing the surface of the anti-fouling system with the disc collects several milligrams of the sample on to the abrasive paper.

2.3 The sampling device consists of an electric motor, two (or three) rotating rods on each of which a disc is attached, and a battery for electric power supply. The discs are pressed on to the surface of the ship's hull by spring coils. The discs rotate counter-clockwise while the rods turn clockwise around the centre of the device. A schematic diagram is given in figure 1.

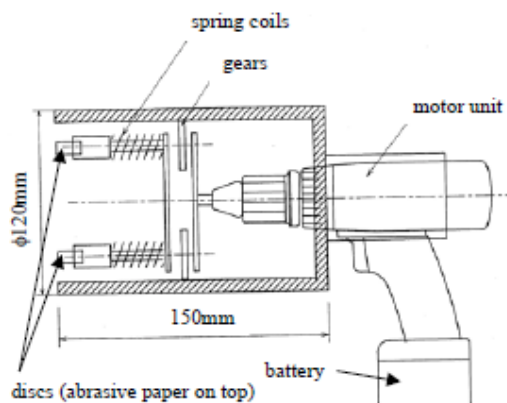


Figure 1. Schematic diagram of sampling device

2.4 A sampling point is selected such that the anti-fouling system is intact over an area of approximately 50 cm x 50 cm or more.

2.5 Depending on the substances targeted as listed in Annex 1 of the AFS Convention:

Case A. For the analysis of organotin only, at each sampling point, three sets of sampling, or more if necessary, should be carried out to obtain at least six specimens.

Case B. For the analysis of cybutryne only, at each sampling point, three sets of sampling, or more if necessary, should be carried out to obtain at least six specimens.

Case C. For the analysis of organotin and cybutryne, at each sampling point, three sets of sampling, or more if necessary, should be carried out to obtain at least six specimens.

2.6 The device is pressed on the ship's hull where it is appropriate to be sampled and held by hand. The electric motor is switched on to slide along the painted surface to lightly scrape off the fragments of the paint onto the abrasive paper. After the sample collection, each disc is removed from the device and stored in an inert container.

2.7 Sampling should normally be carried out with the sampling device. However, in the case that accessibility to the sampling point is poor, it is acceptable to collect samples with the discs by hand if necessary.

### **3 Analysis**

#### **Case A. Analysis of organotin only**

3.1 The first-stage analysis

.1 The first-stage analysis is assumed to be carried out on the spot of the survey or inspection, e.g. dry docks and sea ports. In order to accomplish the on-site analysis, X-ray fluorescence analysis (XRF) is used in this method to detect total tin content.

.2 Analytical characteristics, such as detection limit and accuracy, are highly dependent on the type of the instrument, i.e. type of X-ray tube, spectrometer, optical arrangement (filters or collimators), etc. Among several types of the XRF instruments, an energy-dispersive spectrometer with a silicon drift detector (SDD), which is compact in size and able to be operated without liquid nitrogen, is preferable to the present analytical system for a field use, whereas wave-length dispersion system or solid-state detector are also available if the analysis is carried out at laboratories.

.3 Software customized for the tin analysis is prepared to assist the operator, who is assumed to be a ship surveyor or PSCO, to detect total tin in the specimens.

.4 The customized software may in advance need a calibration curve of the characteristic X-ray intensity of tin in relation to the tin content particularly in the range of 0.1 to 0.5%.

- .5 After the preparation including the warming-up of the XRF instrument and starting-up of the computer, a specimen (sampling disc) is placed on the sample stage of the instrument. Afterwards, analysis is executed by the customized software. A single batch of analysis for one specimen normally takes five minutes and the result is shown on a display automatically.
6. Since the XRF analysis does not affect any properties of the specimens, all of the collected specimens (six to nine specimens), including those for the second analysis and storage, are able to be used for this analysis.

### 3.2 Interpretation of the result at the first-stage analysis

- .1 Following the procedures above, XRF data of six, or nine, specimens are obtained for each sampling point. Omitting the maximum and minimum values from the data, an average of the tin content is calculated from the intermediate values for the representing value of the sampling point.
- .2 Compliance with the Convention is assumed when none of the tin contents (average values) from the samples do not exceed the sum of the threshold (2,500 mg per kg) and a tolerance (500 mg per kg).
- .3 When one or more average values of samples from different sampling points do not meet the above criteria, the samples should be sent to a laboratory for the second stage analysis. Regardless of the results, it is also possible to undergo the second stage analysis when the surveyor or PSCO considers that it is necessary to do so.

### 3.3 Second-stage analysis

- .1 Since the second-stage analysis provides the final and definitive results of the samples, the method should be thoroughly reviewed by experts based on scientific evidence. The following is a brief summary of a tentative methodology for the second stage analysis.
- .2 The collected paint specimens are removed from the abrasive paper and total mass is measured with an electronic balance to an order of 0.1 mg. The specimens are hydrolysed with sodium hydroxide aqueous solution, extracted with organic solvent, and then derivatized with propylmagnesium bromide. After cleaning up the extract, analysis using high resolution gas chromatography/mass spectrometry (GC/MS) is carried out. For quantification analysis, tetrabutyl tin d36 is added as the internal standard.
- .3 These analyses provide the data of chemical species and their content (mg per kg of the specimens). The content of organotin is obtained in a unit of mg per kg of dry paint.

### **Case B. For the analysis of cybutryne only**

3.4 The collected paint specimens are removed from the abrasive paper and total mass is measured with an electronic balance to an order of 0.1 mg. The following procedure is proposed for determining the concentration of cybutryne:

- .1 sample extraction using ethyl acetate with added internal standard (ametryn) using an ultrasonic bath for 15 minutes;

- .2 centrifugation of the samples at 600 rcf for 5 minutes;
- .3 analysis of the supernatant using high resolution capillary GC/MS, with the MS operating in SIM mode;
- .4 quantification using reference cybutryne solutions and an internal standard normalization procedure; and
- .5 modified GC/MS methods resulting in an expanded measurement uncertainty ( $k=2$ ; 95% confidence) of 25% are acceptable.

### **Case C. Simplified approach to detect organotin and cybutryne**

3.5 The collected paint specimens are removed from the abrasive paper and total mass is measured with an electronic balance to an order of 0.1 mg. The following procedure is proposed for determining the concentration of organotin and cybutryne:

- .1 sample extraction using toluene with added internal standard (ametryn) using an ultrasonic bath for 15 minutes;
- .2 addition of sodium hydroxide aqueous solution to hydrolyse the sample and to facilitate the extraction to the toluene;
- .3 centrifugation of the samples at 600 rcf for 5 minutes;
- .4 collection of the supernatant and derivatization with propylmagnesium bromide;
- .5 clean-up of the extract;
- .6 analysis of the toluene solution using high resolution capillary GC/MS, with the MS operating in SIM mode;
- .7 cybutryne quantification using reference cybutryne solutions and an internal standard normalization procedure; organotin quantification using tetrabutyl tin d36 is added as the internal standard; and
- .8 modified GC/MS methods resulting in an expanded measurement uncertainty ( $k=2$ ; 95% confidence) of 25% are acceptable.

## **4 Compliance with the Convention**

### **Case A. Analysis of organotin only**

4.1 Compliance with the Convention for organotin compounds is assumed when the results from the second-stage analysis meet the following requirements at the same time:

- .1 no more than 25% of the total number of samples yield results above 2,500 milligrams tin as organic form per kilogram dry paint (2,500 mg Sn/kg of dry paint); and
- .2 no sample of the total number of specimens shows a concentration of tin as organic form higher than the sum of the threshold value plus the tolerance range, i.e. no sample must exceed the concentration 3,000 mg Sn/kg dry paint.



4.2 When the result does not meet the above criteria, it is interpreted to mean that organotin compounds are present in the anti-fouling system at a level where they would act as a biocide.

#### **Case B. Analysis of cybutryne only**

4.3 Compliance with the Convention for cybutryne is assumed when the results from the cybutryne analysis meet the following criterion:

- .1 the average value of the total number of specimens shows a concentration below the threshold plus the tolerance range, i.e. 1,250 mg of cybutryne per kg of dry paint.

4.4 When the result does not meet the above criterion, it is interpreted to mean that cybutryne is present in the anti-fouling system at a level where it would act as a biocide.

#### **Case C. Simplified approach to detect organotin and cybutryne**

4.5 Compliance with the Convention for organotin compounds and cybutryne is assumed when the results from the cybutryne and organotin analysis meet the two conditions below:

- .1 for organotin, the average value of the total number of specimens shows a concentration below the threshold plus the tolerance range i.e. 3,000 mg Sn/kg of dry paint; and
- .2 for cybutryne, the average value of the total number of specimens shows a concentration below the threshold plus the tolerance range, i.e. 1,250 mg of cybutryne per kg of dry paint.

4.6 When the results do not meet one of the conditions above, it is interpreted to mean that organotin compounds or cybutryne are present in the anti-fouling system at a level where they would act as a biocide.

APPENDIX TO METHOD 2

**RECORD SHEET FOR THE SAMPLING AND ANALYSIS OF ANTI-FOULING SYSTEMS  
ON SHIP HULLS – ORGANOTIN COMPOUNDS AND/OR CYBUTRYNE**

Record number:

<b><u>Section 1: Administration</u></b>	
1. Country	2. Location
3. Date	
4. Reason for survey/inspection	
5. Details of the ship	
5.1 Name of ship	
5.2 Distinctive number or letters	
5.3 Gross tonnage	5.4. Year of build
5.5 Owner or operator of ship	
5.6 Flag State	5.7 Class of ship
5.8 Authority of AFS certificate	
5.9 Date of issue	
5.10 Date of last endorsement	
5.11 IMO number	
5.12 Name of shipmaster	
5.13 Product name of anti-fouling system	
5.14 Name of manufacturer	
5.15 Name of shipyard where applied	
5.16 Comments	
6. Inspecting official's details	
6.1 Name	
6.2 Comments	

**Section 2: Sampling and analysis**  
**Case A. Analysis of organotin only**

Record number

<b>Sampling and Stage 1 analysis (X-ray fluorescence analysis)</b>	
Date:	Instrument I.D.

Sample location	Specimen I.D.	Sample disc	Content of tin (mg/ kg)	max	min	Average
<b>A</b>	A1	<input type="checkbox"/> abrasive				Average  mg/kg <input type="checkbox"/> >2,500 mg/kg <input type="checkbox"/> >3,000 mg/kg
	A2	<input type="checkbox"/> metal				
	A3	<input type="checkbox"/> others				
	A4	<input type="checkbox"/> abrasive				
	A5	<input type="checkbox"/> metal				
	A6	<input type="checkbox"/> others				
	A7	<input type="checkbox"/> abrasive				
	A8	<input type="checkbox"/> metal				
	A9	<input type="checkbox"/> others				
<b>B</b>	B1	<input type="checkbox"/> abrasive				Average  mg/kg <input type="checkbox"/> >2,500 mg/kg <input type="checkbox"/> >3,000 mg/kg
	B2	<input type="checkbox"/> metal				
	B3	<input type="checkbox"/> others				
	B4	<input type="checkbox"/> abrasive				
	B5	<input type="checkbox"/> metal				
	B6	<input type="checkbox"/> others				
	B7	<input type="checkbox"/> abrasive				
	B8	<input type="checkbox"/> metal				
	B9	<input type="checkbox"/> others				
<b>C</b>	C1	<input type="checkbox"/> abrasive				Average  mg/kg <input type="checkbox"/> >2,500 mg/kg <input type="checkbox"/> >3,000 mg/kg
	C2	<input type="checkbox"/> metal				
	C3	<input type="checkbox"/> others				
	C4	<input type="checkbox"/> abrasive				
	C5	<input type="checkbox"/> metal				
	C6	<input type="checkbox"/> others				
	C7	<input type="checkbox"/> abrasive				
	C8	<input type="checkbox"/> metal				
	C9	<input type="checkbox"/> others				
<b>D</b>	D1	<input type="checkbox"/> abrasive				Average  mg/kg <input type="checkbox"/> >2,500 mg/kg <input type="checkbox"/> >3,000 mg/kg
	D2	<input type="checkbox"/> metal				
	D3	<input type="checkbox"/> others				
	D4	<input type="checkbox"/> abrasive				
	D5	<input type="checkbox"/> metal				
	D6	<input type="checkbox"/> others				
	D7	<input type="checkbox"/> abrasive				
	D8	<input type="checkbox"/> metal				
	D9	<input type="checkbox"/> others				

<input type="checkbox"/> Stage 2 required	<input type="checkbox"/> ___ samples out of ___ are above 2,500 mg/kg	<input type="checkbox"/> Compliant
	<input type="checkbox"/> sample(s) ___ is (are) above 3,000 mg/kg	
Sampled by		Analysed by
Signature		Signature

Record number:

<b>Stage 2 analysis (Gas chromatography/mass spectrometry)</b>				
Date				
Instrument I.D.				
Comments on the method				
Sample I.D.	Specimen used	Content of tin (XFR analysis) (mg/kg)	Content of tin (as organotin) (mg/kg)	Compliance
A				<input type="checkbox"/> >2,500 mg/kg <input type="checkbox"/> >3,000 mg/kg
B				<input type="checkbox"/> >2,500 mg/kg <input type="checkbox"/> >3,000 mg/kg
C				<input type="checkbox"/> >2,500 mg/kg <input type="checkbox"/> >3,000 mg/kg
D				<input type="checkbox"/> >2,500 mg/kg <input type="checkbox"/> >3,000 mg/kg
4. Conclusion <input type="checkbox"/> Not compliant _____ samples out of _____ are above 2,500 mg/kg sample(s) _____ is (are) above 3,000 mg/kg <input type="checkbox"/> Compliant				
5. Additional comments				
6. Laboratory name				
7. Analysed by			8. Signature	

**Case B. Analysis of cybutryne only**

Record number

Sampling and gas chromatography/mass spectrometry analysis  
Date: Instrument I.D.

Sample location	Specimen I.D.	Sample disc	Comments on the samples and sampling procedure	Comments on the sample location
<b>A</b>	A1	<input type="checkbox"/> abrasive		
	A2	<input type="checkbox"/> metal		
	A3	<input type="checkbox"/> others		
	A4	<input type="checkbox"/> abrasive		
	A5	<input type="checkbox"/> metal		
	A6	<input type="checkbox"/> others		
	A7	<input type="checkbox"/> abrasive		
	A8	<input type="checkbox"/> metal		
	A9	<input type="checkbox"/> others		
<b>B</b>	B1	<input type="checkbox"/> abrasive		
	B2	<input type="checkbox"/> metal		
	B3	<input type="checkbox"/> others		
	B4	<input type="checkbox"/> abrasive		
	B5	<input type="checkbox"/> metal		
	B6	<input type="checkbox"/> others		
	B7	<input type="checkbox"/> abrasive		
	B8	<input type="checkbox"/> metal		
	B9	<input type="checkbox"/> others		
<b>C</b>	C1	<input type="checkbox"/> abrasive		
	C2	<input type="checkbox"/> metal		
	C3	<input type="checkbox"/> others		
	C4	<input type="checkbox"/> abrasive		
	C5	<input type="checkbox"/> metal		
	C6	<input type="checkbox"/> others		
	C7	<input type="checkbox"/> abrasive		
	C8	<input type="checkbox"/> metal		
	C9	<input type="checkbox"/> others		
<b>D</b>	D1	<input type="checkbox"/> abrasive		
	D2	<input type="checkbox"/> metal		
	D3	<input type="checkbox"/> others		
	D4	<input type="checkbox"/> abrasive		
	D5	<input type="checkbox"/> metal		
	D6	<input type="checkbox"/> others		
	D7	<input type="checkbox"/> abrasive		
	D8	<input type="checkbox"/> metal		
	D9	<input type="checkbox"/> others		

Average concentration of cybutryne (mg of cybutryne per kg of dry paint)	
Sampled by	Analysed by
Signature	Signature

**Case C. Simplified approach to detect organotin and cybutryne**

		Record number
Sampling and gas chromatography/mass spectrometry analysis		
Date:	Instrument I.D.	

Sample location	Specimen I.D.	Sample disc	Comments on the samples and sampling procedure	Comments on the sample location
<b>A</b>	A1	<input type="checkbox"/> abrasive		
	A2	<input type="checkbox"/> metal		
	A3	<input type="checkbox"/> others		
	A4	<input type="checkbox"/> abrasive		
	A5	<input type="checkbox"/> metal		
	A6	<input type="checkbox"/> others		
	A7	<input type="checkbox"/> abrasive		
	A8	<input type="checkbox"/> metal		
	A9	<input type="checkbox"/> others		
<b>B</b>	B1	<input type="checkbox"/> abrasive		
	B2	<input type="checkbox"/> metal		
	B3	<input type="checkbox"/> others		
	B4	<input type="checkbox"/> abrasive		
	B5	<input type="checkbox"/> metal		
	B6	<input type="checkbox"/> others		
	B7	<input type="checkbox"/> abrasive		
	B8	<input type="checkbox"/> metal		
	B9	<input type="checkbox"/> others		
<b>C</b>	C1	<input type="checkbox"/> abrasive		
	C2	<input type="checkbox"/> metal		
	C3	<input type="checkbox"/> others		
	C4	<input type="checkbox"/> abrasive		
	C5	<input type="checkbox"/> metal		
	C6	<input type="checkbox"/> others		
	C7	<input type="checkbox"/> abrasive		
	C8	<input type="checkbox"/> metal		
	C9	<input type="checkbox"/> others		
<b>D</b>	D1	<input type="checkbox"/> abrasive		
	D2	<input type="checkbox"/> metal		
	D3	<input type="checkbox"/> others		
	D4	<input type="checkbox"/> abrasive		
	D5	<input type="checkbox"/> metal		
	D6	<input type="checkbox"/> others		
	D7	<input type="checkbox"/> abrasive		
	D8	<input type="checkbox"/> metal		
	D9	<input type="checkbox"/> others		

Average content of organotin (mg of organotin per kg of dry paint)	
--	--

Average concentration of cybutryne (mg of cybutryne per kg of dry paint)	
Sampled by	Analysed by
Signature	Signature

**Section 3: Final conclusion**

1. Conclusion

- Anti-fouling system is compliant with the AFS Convention 2001.  
 Anti-fouling system is NOT compliant with the AFS Convention 2001.

2. Comments

3. Processed official

3.1 Name

3.2 Date

3.3 Signature

4. Authorized administrator

4.1 Name

4.2 Date

4.3 Signature

\*\*\*